



# CHLORINE GENERATOR CLARIPUR SG20 E SG35 USER'S GUIDE

---



## Table Of Contents

Important Warnings and Safety Precautions.....	4
Introduction.....	6
Technical features Chlorine Generator CLARIPUR SG20.....	7
Technical features Chlorine Generator CLARIPUR SG35.....	7
Installation Instructions.....	8
Spare parts.....	11
Dimensions.....	12
Indication Display.....	13
Settings.....	15
Features.....	15
Pool Water Chemistry, Conditions and Precautions.....	16
Cleaning the Blades with Acid.....	19
Unit of Measurement - Temperature.....	19
Technical Assistance.....	20
Contacts.....	20
Warranty Terms.....	21

## Important Warnings and Safety Precautions

**Incorrect installation of this equipment could result in serious personal injuries or even death.**



**Installers, pool operators and pool owners should read these warnings and all instructions contained in this manual before installing, operating or servicing equipment.**

Claripur SIBRAPE Chlorine Generators are intended for use in commercial and residential swimming pools.

Most countries have local regulations governing the construction, installation and operation of residential and/or public swimming pools, spas and hot tubs. It is important to follow these regulations according to the country of installation.

### IMPORTANT WARNING

**Attention installer!** This installation and user manual contains important information about installing, operating and using this product safely. This manual must be handed over to the owner of the equipment.

Before installing this product, read and follow all warnings and instructions in this manual. Failure to follow warnings and instructions could result in serious injury, death, property damage, and loss of warranty.



**Danger!** Water temperature above 98,6°F can be dangerous to health. Prolonged immersion in hot water can induce hyperthermia. Hyperthermia occurs when the core body temperature reaches a level above the core body temperature of 98,6°F. The effects of hyperthermia include: (1) Ignorance of danger imminent; (2) lack of heat perception; (3) Failure to recognize the need to get out of the water; (4) Physical inability to leave the water; (5) Fetal harm in pregnant women; (6) Unconsciousness resulting in risk of drowning. The use of alcohol, drugs or medication can greatly increase the risk of fatal hyperthermia in swimming pools, spas, hot tubs and hot tubs.

Do not allow children and/or untrained persons to operate this equipment.

When replacing a chlorine generator, check the power/flow of the equipment so that they are compatible. Installing inadequate equipment can exceed the amount of chlorine needed or fall short.



This equipment is intended for use in residential and/or commercial swimming pools, so all regulations must be followed.

### RISK OF ELECTRIC SHOCK OR ELECTROCUTION



CHLORINE GENERATORS REQUIRE HIGH VOLTAGE AND CURRENT WHICH CAN CAUSE ELECTRIC SHOCK, BURNS OR DEATH.

Always disconnect electrical power from the equipment before performing maintenance. Failure to do so could result in accident, serious injury, or accidental death from electric shock.

Pool, spa or hot tub Chlorine Generators must be installed by qualified professionals in compliance with local electrical regulations and applicable ordinances. Incorrect installation can create an electrical hazard which could result in death or serious injury to pool users, installers or others due to electrical shock and could cause property damage.

Failure to properly size the equipment, perform an improper installation, or use the equipment in applications other than those for which the equipment is intended can result in accidents, serious personal injuries, or death. These dangers may include, but are not limited to, electric shock, fire, flood, serious injuries, property damage caused by a structural failure of the equipment or other system component.

Never exceed the specifications of the Chlorine Generator, such as pressure, voltage, current, etc.



### DANGER OF SUCTION TRAP

**Motor pumps move large volumes of water, generating high suction in the suction devices, which can represent an extreme danger of accidental suction, of limbs and/or hair if a correct dimensioning of the quantity and positioning of the bottom drains, skimmer, devices of suction and piping.**

FAILURE TO FOLLOW INSTALLATION, OPERATION AND SAFETY REGULATIONS AND RECOMMENDATIONS MAY RESULT IN TRAPPED HAIR OR LIMBS WHICH CAN CAUSE SERIOUS INJURIES OR DEATH. In case of doubt about the installation and/or operation of the motor pump, consult a qualified pool professional service.

Motor pumps do not replace drains and their covers correctly installed and fixed. A standard drain plug must be used to cover each drain. Swimming pools, spas and hot tubs must use at least two drains and follow the proper regulations for design, specification and installation.

Regularly inspect all drain covers for cracks, damage and advanced wear. If a cover is loose, cracked, damaged, broken or missing, close the pool, spa or hot tub immediately, turn off the pump, post a keep closed sign until an appropriate cover is properly installed.



## Important Warnings and Safety Precautions



**WARNING: THE FORMATION OF CHLORINE GAS MAY OCCUR IN CASE OF IMPROPER CONNECTION:** To reduce the risk of personal injury, the Claripur Chlorine Generator Power Source must be installed and connected to the side of the clock, controlled via an electronic plug or stabilizer to that receives electrical energy when the pool pump is on. Otherwise, harmful chlorine gas may form. The Chlorine Generator should never have electrical power present when the pool pump is off and water is not flowing through the unit.

**WARNING:** To reduce the risk of injury, service should only be performed by a qualified pool professional.

**WARNING:** Never operate the Claripur Electronic Chlorine Generator without proper flow or circulation of water. Formation of flammable gases will result in hazardous conditions.

**ATTENTION -** The Claripur Electronic Chlorine Generator is for use in permanently installed pools and can also be used in hot tubs and spas if applicable. Do not use in demountable pools. A permanent pool is understood to be one that is built and cannot be dismantled after use. A demountable pool is one that can be dismantled after use and reassembled to regain its original integrity.

**WARNING:** When mixing acid with water, ALWAYS ADD ACID TO THE WATER. NEVER ADD WATER TO THE ACID.

**WARNING -** Use of chemicals other than those recommended can be dangerous. Even the proper use of recommended chemical agents can be dangerous. Follow Chemical Agent Manufacturer's Instructions.

## Introduction

Thank you for choosing a Sibrape product. To ensure correct and efficient use, it is essential to read this manual completely for a good understanding of its operations, before putting it into operation.

Our full line of pool products simplifies your routine so you can enjoy what really matters.

Comfort and well-being. Congratulations on the purchase of your Chlorine Generator, which provides convenience in treatment and leaves the pool always ready for use in a very easy way.

The Chlorine Generator works together with filtration and produces chlorine automatically, from salt, through an electrolysis process.

The Chlorine Generator is composed of a control panel that monitors and controls a cell that must be installed in the filter return pipe, which can work in filtering or recirculating conditions (according to daily recommendation). After installing the equipment, just add **SALT (NaCl - Sodium Chloride) with a high purity content, it is recommended that it has 99.8% purity, granules, briquette or tablets. Non-iodized and without additives** to have an automatically chlorinated pool without complications.

## Technical Features Chlorine Generator CLARIPUR SG20

Feature	Parameter:
Chlorine Generation	20g/H
Water Salinity:	2800 – 5000 ppm
Flow Detection:	Turbine type sensor
Power Voltage:	Full range 110~220VAC
Power:	120 W
Piping Diameter:	2"
Current in the cell:	5 A
Cell Voltage:	24V
Minimum Flow:	3 m3/H
Controller Protection Degree:	IP 65

## Technical Features Chlorine Generator CLARIPUR SG35

Feature	Parâmetro:
Chlorine Generation	35g/H
Water Salinity:	2800 – 5000 ppm
Flow Detection:	Turbine type sensor
Power Voltage:	220VAC
Power:	240 W
Piping Diameter:	2"
Current in the cell:	10 A
Cell Voltage:	24V
Minimum Flow:	3 m3/H
Controller Protection Degree:	IP 65

## Inspection and Receipt

Check the product upon receipt, after removing the equipment from its packaging, check the shipping documents and check whether any damage has occurred to the equipment, caused by loading and transport. If any irregularity has been found, such as lack of components or damage to the equipment, immediately notify the person responsible for the transport and Sibrape.

## Electrical Installation

The electrical installation must be carried out by a qualified professional and in accordance with current local legislation and Technical Standards. For Brazil, the Technical Standard ABNT NBR 5410 - Low voltage electrical installations, establishes in detail the criteria that must be followed for installation, protecting the installation, equipment, people and animals.

A well dimensioned project guarantees a perfect functioning of the equipment, protects the equipment and increases its useful life.

The power supply to the equipment must be done through an exclusive circuit, independent of the others. Chlorine generators must be installed inside a machine room and with sufficient area for ventilation.

The equipment's power cables must be dimensioned by a qualified and qualified professional for this purpose. CHECK THE CONNECTION VOLTAGE OF YOUR EQUIPMENT BEFORE CONNECTING POWER.

VERIFY THE CORRECT CONNECTION OF THE TERMINALS ON THE EQUIPMENT FOR THE AVAILABLE VOLTAGES ACCORDING TO EACH PRODUCT.

It is mandatory to install devices that provide safety for the installation, equipment, people and animals, such as: Contactor, Overload Relay, Surge Protection Devices, Phase Loss Relay, Residual Differential/Residual Differential Switch and other necessary protections of according to the local standard.

The lack of electrical protection devices will result in the loss of the WARRANTY.

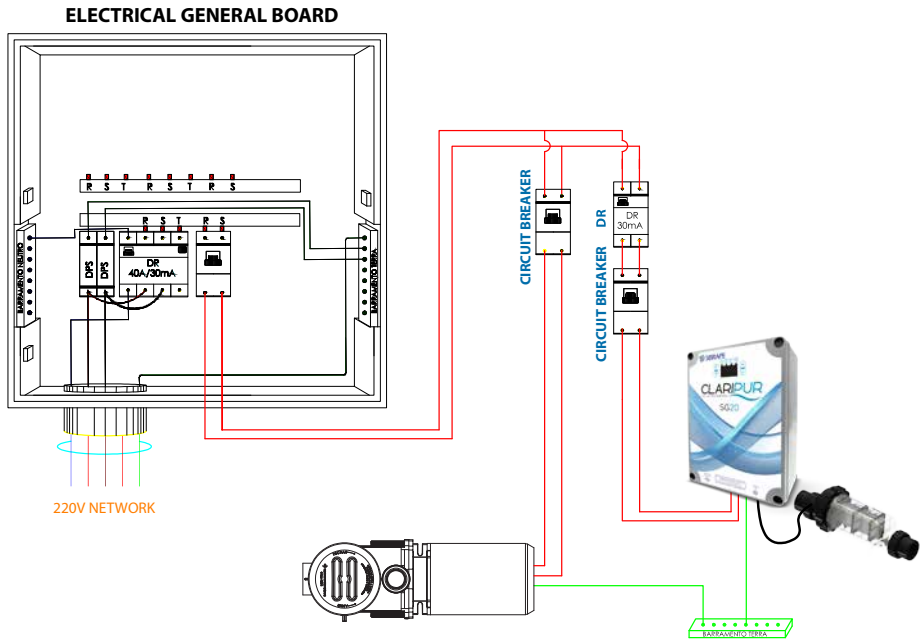
The warranty does not cover damage from electrical discharges, supply problems and natural phenomena.

### **Grounding: GROUNDING IS MANDATORY**

For complete safety of the electrical installation, make sure that the motor is perfectly grounded, according to the national technical standard. Use the existing terminal on the motor for grounding, connecting it to a wire of the proper diameter as per the design and this wire to an appropriate iron/copper rod.



# Installation Instructions



The Chlorine Generator is installed after Residual Differential Device and Overload Protection Circuit Breaker. There is no need to connect the Chlorine Generator together with the pump, as the Chlorine Generator has a flow sensor that makes it turn on with the detection of the passage and water. For other installation methods, consult technical support.

## Cell controller (CPU)

1. Find a place free of water and with low humidity;
2. Fix the box using the side tabs;
3. Provide power point;
4. After fixed and energized, connect the Chlorine Generator to the CPU. To connect, just find the position connector (there is only one way to fit it) and push the blue connector.



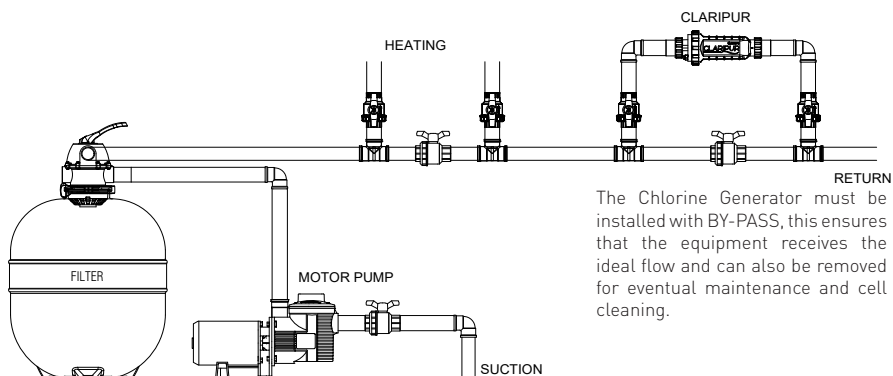
## Hydraulic Installation

The Chlorine Generator is installed after DR and Overload Protection Circuit Breaker. There is no need to connect the Chlorine Generator together with the pump, as the Chlorine Generator has a flow sensor that makes it turn on with the detection of the passage and water. For other installation methods, consult technical support.

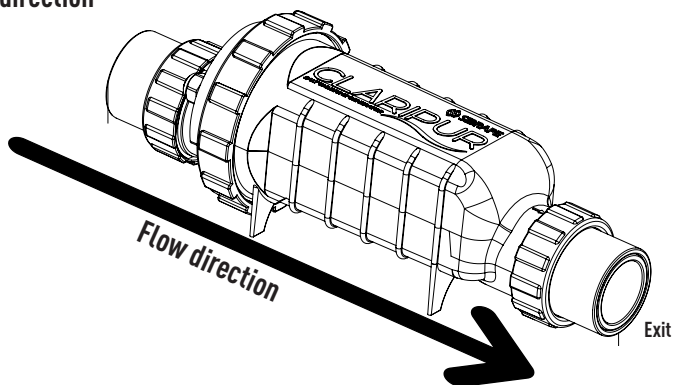
### Chlorine Generating Cell

1. Install after the filter and heating systems and before returning to the pool;
2. Section the pipe long enough to secure the equipment with the unions;
3. Glue the joints on the pipe;
4. Place the Chlorine Generator, observing the direction of the water flow;
5. Check that all the nuts are tightly screwed so that there are no leaks.
6. Always install the Chlorine Generator in the last portion of the return pipe, after electric, gas or solar heaters.
7. After fixed and energized, connect the Chlorine Generator to the CPU. To connect, just find the position blue connector (there is only one way to fit it).

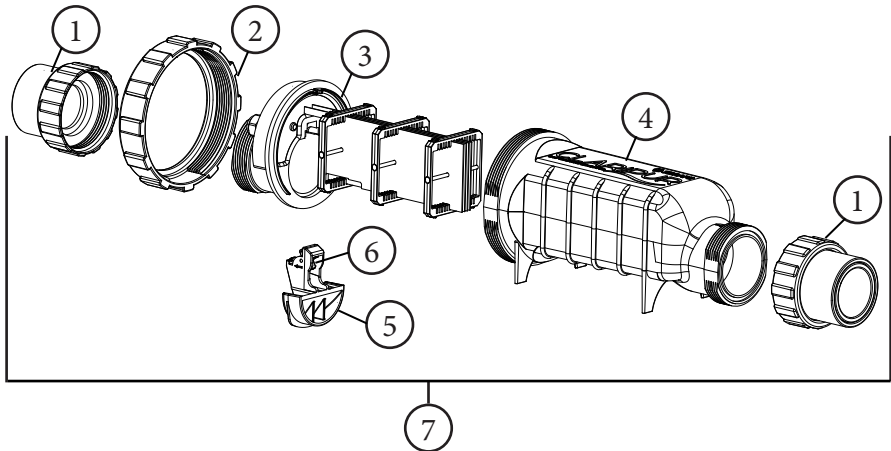
## Hydraulic installation diagram



## Flow direction



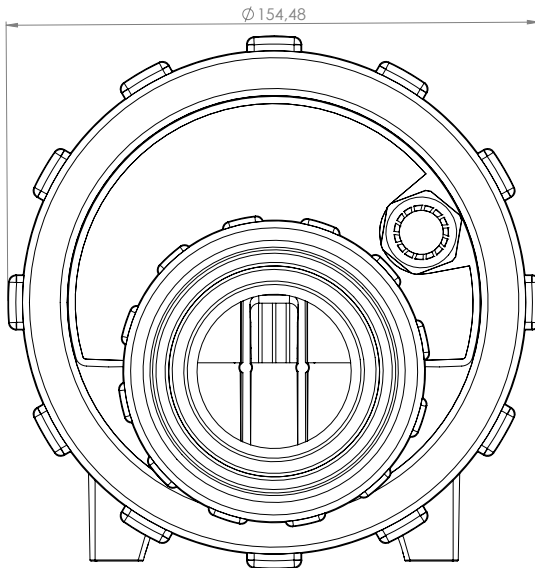
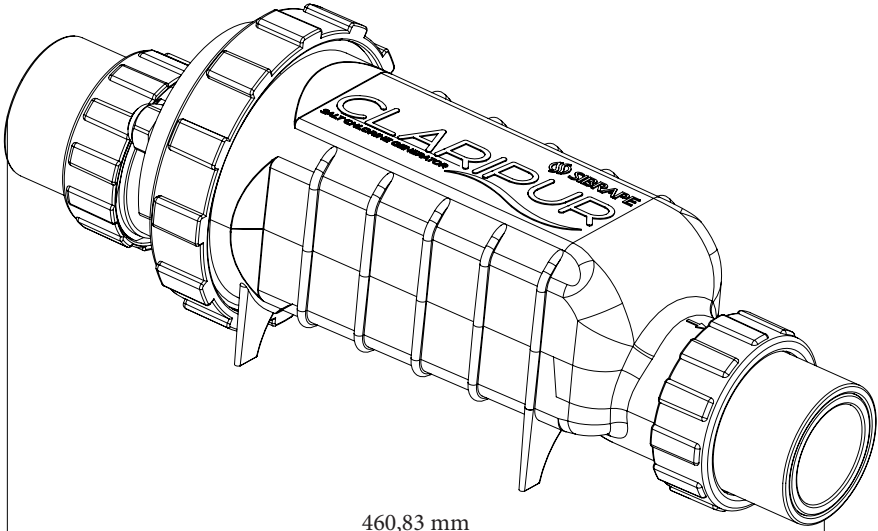
## Spare parts



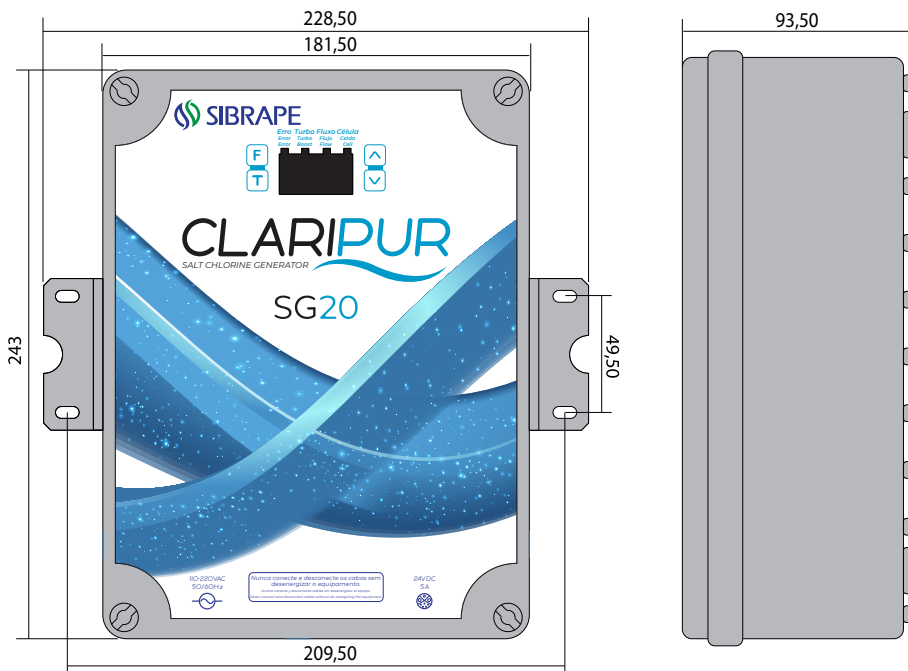
### Chlorine Generator Parts

Item	Code	Description
01	028072506	KIT UNIAO PLATINUM 2 INC MX 005
02	08070183	CLARIPUR CELL NUT This is the code for the larger nut, which secures the cover to the cell body
03	05130020	CHLORINE GENERATOR COMPLETE BLADES SG20 ENG/SPA
03	05130021	CHLORINE GENERATOR COMPLETE BLADES SG35 ENG/SPA
04	08070182	CELL BODY CHLORINE GENERATOR This is just the cell body, made of polycarbonate
05	08070184	FLOW SENSOR KIT This item contains flow sensor with magnets, titanium shaft and flow sensor holder
06	08290075	FLOW SENSOR WITH MAGNET This item contains the two parts of the flow sensor already assembled with the magnets
07	05130016	COMPLETE CELL CHLORINE GENERATOR 20G This code contains everything from the 20g cell, including the connections for the tubes
07	05130017	COMPLETE CELL CHLORINE GENERATOR 35G This code contains everything in the 35g cell, including the connections for the tubes
-	05130014	CPU CHLORINE GENERATOR SG20 ENG/SPA
-	05130015	CPU CHLORINE GENERATOR SG35 ENG/SPA

# Dimensions



## Dimensions



## Indication Display



The Chlorine Generator works with two types of indication, LED indication and alphanumeric indication;

### LED indication

#### ACTIVE

The active LED remains lit while the equipment is producing chlorine.

#### FLOW

Indicates that the flow sensor has detected water passing through the pipeline.

#### TURBO/BOOST

indicates that the boost function is on, and will remain until it is turned off, or the 24h time expires

#### ERROR

- Blinking red – indicates low salt
- Solid red – Indicates an error that can be seen in the ERR menu by navigating the F key.



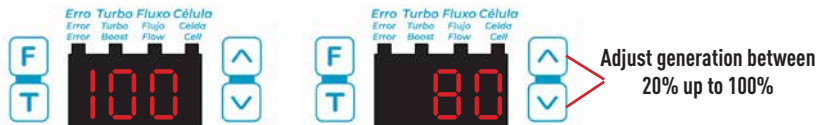


## Alphanumeric Indication

To switch between screens, simply press the F key quickly. It switches between menus:

### •GENERATION

Indicates the percentage that is programmed for chlorine generation, which can be: 100%, 80%, 60%, 40% and 20%. And it is on this screen that the percentage of production is adjusted, using the keys.



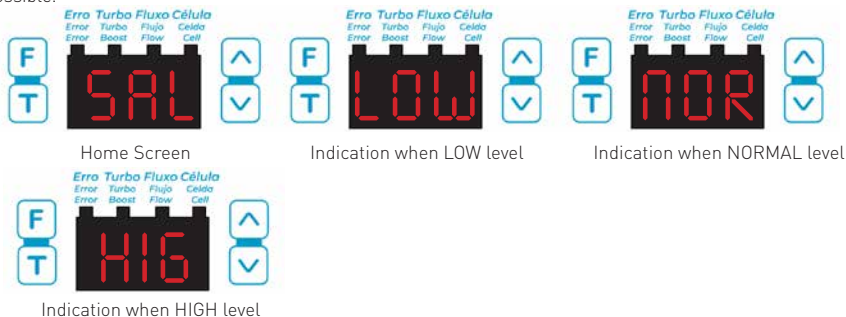
### •BOOST

The chlorine generator will produce 100% chlorine for 24 hours (as long as the pump maintains the water flow). On this screen, it indicates the decreasing time, of 24 hours, for the end of the BOOST function.



### •SALT

Indicates if the water has the ideal amount of salt for the equipment to have the best performance possible.



- SAL LOW – indicates when the salinity of the water is below 2800 PPM
- SAL Normal – indicates when the salinity of the water is between 2800 to 5000 PPM
- SAL HIGH – indicates when the salinity of the water is above 5000 PPM.

### •ERROR

Indicates the error currently present, check the error indication table:



## Indication Display

ERROR INDICATION		
CODE	ERROR	CAUSE
1	Short Circuit in Cell	The cell may be short circuited. Excess salt.
2	Open Cell	Electrical connection between controller and cell, broken. Little salt in the water. Disconnected cell.
4	Controller Overheating	Electronic controller is overheated. Very hot environment. Request a lot of power.
8	Excessive Power Requested	Need a lot of power in the cell. Little salt in the water.
16	Problem With Temperature Sensors	Problem with water temperature sensor. Problem with CPU temperature sensor.

Errors are indicated in sum, for example. If error 16 and error 2 occur, the display will indicate 18. If error 8 and error 16 occur, the display will indicate 24, and so on.

## Settings

### Adjust chlorine production

The main indication of the equipment is the percentage of chlorine generation, which can be adjusted using the keys found on the right of the display, indicated . The percentage can be set at: 100%, 80%, 60%, 40% and 20% of full capacity.

### BOOST - TURBO function

This function causes the Chlorine Generator to operate at 100% production for 24 hours. The time in this function is counted by operating hours, not continuous hours. For example, if the generator runs 8 hours a day, it will run at 100% for 3 days (24h/8h = 3). At the end of 24 hours, chlorine generation returns to the last programmed percentage.

To activate the boost function, just press the (T) key to the left of the display. To monitor the time remaining for the function to end, simply press the F key, the display will indicate "BST" and then the decreasing time from 24 to 0. To return to the generation percentage indication, simply press the "F" button and with the arrows navigate to the indication of % of generation.

## Features

The generation of chlorine in this equipment is constant, that is, it does not depend on the amount of salt in the water. Just needing to be between 2800 and 5000 PPM.

### Flow Sensor

The Chlorine Generator has a flow sensor that, only from a minimum flow of water, the generation is started. Thus, even if the equipment is energized and the generation percentage is programmed, production will only start when there is water flowing through the pipeline.

## Characteristics

### Thermal protection

In order to protect and maintain product quality, the Sibrape Claripur Chlorine Generator monitors the water temperature, so that, if the water reaches 64,4°F, the chlorine generation will change to 40% of its capacity and the water reaches 57,2°F the generator will operate at 20% of its capacity.

It is important to note that this behavior can only be observed if the percentage programmed is higher than the percentage of generation in thermal protection mode.

### Operating in winter

Chlorine Generator can operate at temperatures up to 33,8°F. For this it modulates the power of the cell. Below 64,4°F it reduces the chlorine generation to 40%, and below 57,2°F it reduces it to 20% and maintains the chlorine generation as long as there is enough water flow and enough salt.

This technology supports pools even on icy days.

### Salt sensor

Sensor that assists in checking the status of the chlorine generation cell. He can assess whether the cell is in good condition or not. Whenever a new chlorine generation cycle starts, the Salt Sensor checks the salinity of the water and compares it with the cell, which can report problems in the cell.

### Self cleaning

Every 5 hours of operation of the Chlorine Generator a self-cleaning procedure is performed. This procedure ensures that the materials embedded in the generator blades are loosened, keeping the Chlorine Generator always at maximum efficiency.

## Pool Water Chemistry, Conditions and Precautions

### Ideal Chemical Conditions for Water

The following daily chemical conditions in pool water are recommended to help protect users, pool equipment and any surfaces used in and around your pool.

These values are important for keeping pool equipment in proper operating condition, as well as preventing corrosion, sludge or other problems. The Electronic Chlorine Generator is guaranteed to operate properly only if these conditions are met.

Pure chlorine:	2.0 - 4.0 ppm. Above 4.0 ppm can cause corrosion of metal components
Combined Chlorine (Chloramines):	None (superchlorination to remove all chloramines).
pH:	7.2 - 7.8 (USE MURIATIC ACID to lower the pH and Sodium Carbonate to raise the pH).
Cyanuric Acid	30 - 50 ppm
Total Alkalinity:	80 - 120 ppm
Calcium Particles:	200 - 400 ppm
TDS (includes salt):	3000 min to 5700 to 6000 max ppm
Salt:	3000 - 4500 ppm (ideal 3500 ppm)
Metals (Copper, Iron, Manganese):	None
Nitrates:	None
Phosphates:	Less than 125 ppb



## Covered Pools

When using the Chlorine Generator in indoor pools and/or vinyl lines, less chlorine is required. It is recommended to decrease chlorine production while the pool is covered.

## What kind of salt to use

The purer the salt, the better the performance and duration of the Chlorine Generator. Use salt that is at least 99.8% pure NaCl, sodium chloride. The preferred and recommended salt is a granulated, evaporated, food grade, non-iodized and additive-free salt. Consult your salt supplier.

## How much salt to use?

Use Table 1 to determine how much salt you will need. Most pools contain salt, depending on the water source and chemical used for cleaning. However, the pool owner should always test salt levels before adding salt. A hand meter calibrated for NaCl (salt) can be used to determine salt levels in pool water. After turning on the CLARIPUR, it will analyze the water through the salt sensor, and it will only start to produce chlorine, after the salt sensor detects enough salt. If the amount of salt is low, the error LED will start flashing, informing the amount of salt is low. This light indicates the salt status of the pool.

- 3500 ppm of salt is recommended to optimize water conditions.
- Low salt concentration below 2800 ppm will be indicated on the flashing error LED.
- High salt concentrations above 5000 ppm can cause excessive corrosion or deterioration of pool equipment and any surfaces used in and around the pool.

Note: Salt measurements will vary between measurement devices (salt measuring strips, electronic testers, and grinding). The salt sensor reading is accurate to +/- 500 ppm.

## How to Add Salt to the Pool

1. Check the salt level in the pool before adding salt.
2. Determine the amount of salt from Table 1 below.
3. Slowly add salt to the outer perimeter of the pool for an even distribution. To prevent filter clogging or damage to pool equipment and surrounding surfaces, do not add salt through the skimmer or tank.
4. Clean the bottom of the pool and allow the water to circulate for 24 hours to completely dissolve the salt.
5. After 24 hours, verify the correct salt reading through the Chlorine Generator indicators and with a separate reliable test method.
6. Turn on the Chlorine Generator and set the appropriate cleaning output level to maintain free chlorine levels in the pool water (between 2.0 - 4.0 ppm are recommended values).

Table 1 helps in calculating the amount of salt to add to the water. If the water has 0 salt or already has some amount of salt present. The PPM line indicates the presence of salt in the water, and the amounts in KG are the amount of salt to add to the water so that it reaches 3500PPM at the end. For example: If you have a 20,000 L swimming pool and after taking the measurement you found that it already has 2000PPM of salt, just go to the 2000PPM column and go to the 20,000L line, that's it, the amount of salt to be put in the pool is 30Kg .

## Table 1 - Volume of salt per amount of water

PPM >	0	250	500	750	1000	1250	1500	1750	2000	2250	2500	3000
Liters V	salt needed in pound											
<b>12000</b>	92,59	85,98	79,36	72,75	66,13	59,52	52,91	46,29	39,68	33,06	26,45	13,22
<b>14000</b>	108,02	101,41	92,59	85,98	77,16	70,54	61,72	55,11	46,29	39,68	30,86	15,43
<b>16000</b>	123,45	114,64	105,82	97,00	88,18	79,36	70,54	28	52,91	44,09	35,27	17,63
<b>18000</b>	138,89	130,07	119,05	110,23	99,20	90,38	79,36	70,54	59,52	50,70	39,68	19,84
<b>20000</b>	154,32	143,3	132,27	121,25	110,23	99,20	88,18	77,16	66,13	55,11	44,09	22,04
<b>22000</b>	169,75	158,73	145,50	134,48	121,25	110,23	97,00	85,98	72,75	61,72	48,50	24,25
<b>24000</b>	185,18	171,96	158,73	145,50	132,27	119,05	105,82	92,59	79,36	66,13	52,91	26,45
<b>26000</b>	200,62	187,39	171,96	158,73	143,3	130,07	114,64	101,41	85,98	72,75	57,32	28,66
<b>28000</b>	216,05	200,62	185,18	169,75	154,32	145,50	123,45	108,02	92,59	77,16	61,72	30,86
<b>30000</b>	231,48	216,05	198,41	182,98	165,34	149,91	132,27	116,84	99,20	83,77	66,13	33,06
<b>35000</b>	271,16	251,32	231,48	211,64	194,00	174,16	154,32	134,48	116,84	97,00	77,16	39,68
<b>40000</b>	308,64	286,60	264,55	242,50	220,46	198,41	176,37	154,32	132,27	110,23	88,18	44,09
<b>45000</b>	348,33	321,87	297,62	273,37	249,12	222,66	198,41	174,16	149,91	123,45	99,20	50,70
<b>50000</b>	385,80	359,35	330,69	304,23	275,57	249,12	220,46	194,00	165,34	138,89	110,23	55,11
<b>55000</b>	425,49	394,62	363,76	332,89	304,23	273,37	242,50	211,64	182,98	152,11	121,25	61,72
<b>60000</b>	462,97	429,90	396,83	363,76	330,69	297,62	264,55	231,48	198,41	165,34	132,27	66,13
<b>65000</b>	502,65	465,17	429,90	394,62	359,35	321,87	286,60	251,32	216,05	178,57	143,3	72,75
<b>70000</b>	540,13	502,65	462,97	425,49	385,80	348,33	308,64	271,16	231,48	194,00	154,32	77,16
<b>75000</b>	579,81	537,92	496,04	454,15	414,46	372,58	330,69	288,80	249,12	200,62	165,34	83,77
<b>80000</b>	617,29	573,20	529,10	485,01	440,92	396,83	352,74	308,64	264,55	220,46	176,37	88,18
<b>85000</b>	656,97	608,47	562,17	515,88	469,58	421,08	374,78	328,48	282,19	233,69	187,39	94,79
<b>90000</b>	694,45	645,95	595,24	546,74	496,04	447,53	396,83	348,33	297,62	249,12	198,41	99,20
<b>95000</b>	734,13	681,22	628,31	575,40	524,7	471,78	418,87	365,96	315,26	262,35	209,43	105,82
<b>100000</b>	771,61	716,50	661,38	606,27	551,15	496,04	440,92	385,80	330,69	275,57	220,46	110,23

## Cleaning the Blades with Acid

If the Chlorine Generator blades show a tendency to "scale", it is recommended that every (2) two months the Chlorine Generator blades are removed and inspected for scale formation and/or traces on the blades. Some filters allow traces to pass through the Chlorine Generator, possibly settling between the Chlorine Generator blades. A small amount of "scaling" is normal. If, when looking through the Chlorine Generator, it is observed that there is excessive formation of "scales" between the blades or that there is the presence of traces, the Chlorine Generator must be cleaned as follows:

### **BEFORE ANY MAINTENANCE, TURN OFF THE POWER TO THE EQUIPMENT AND DISCONNECT THE CELL CABLE FROM THE CONTROLLER.**

1. Use a water jet for cleaning. If the blades cannot reasonably be cleaned in this manner, acid cleaning will be necessary.
  2. To clean the blades with acid:
  3. Disassemble the cell by opening the large nut and removing the blades from the body.
  4. Mix (1) a quart of muriatic acid with 4 liters of tap water in a plastic bucket.
  5. Soak the Chlorine Generator blades far enough to cover the entire blade. Be careful not to let the entire blade holder submerge. Try not to splash acid out of the Bucket. If acid splashes out, rinse with water.
  6. Wait until the solution starts to bubble to start cleaning. A foaming action will start, this is caused by scale (calcium carbonate) being dissolved from the blades. If a rigorous foaming action does not start, the blades do not need to be cleaned. Otherwise, leave the slides immersed in the solution until it stops foaming. However, do not leave acid in the Chlorine Generator for more than 30 minutes. Excessive acid cleaning will damage the blades.
  7. Remove the Chlorine Generator from the bucket and place it in an empty one. Rinse with clean water and check. If deposits are still visible, repeat the acid cleaning process if necessary.
  8. Rinse it again with clean water and check.
  9. If the acid washing procedure is necessary, it is recommended to carry out the CALCIUM HARDNESS WATER test on a sample of the pool water to be analyzed by a specialized professional or with specific pool kits available on the market. The ideal range is 200 to 400 ppm).
  10. Check the Chlorine Generator blades every two months and clean only if necessary.
  11. Reassemble the cells in the body and reconnect the communication cable and then reconnect the electrical power.
- For any queries, please contact the Technical Assistance department.

## Unit of Measurement - Temperature

The chlorine generator has a screen that allows the customer to select which temperature unit they are most used to using between Celsius, Kelvin and Fahrenheit. Below is a brief step-by-step guide for changing the temperature unit?

- a. Press the "F" button for 3 seconds, the display should indicate "Cod" and the number "0" will flash. This indicates that the screen is free to change;
- b. Press the "Λ" arrow until the number 12 appears and then the "T" button. "tmp" should appear on the display;
- c. Press the "T" key again, the equipment will enable the edition of the temperature unit;
- d. Use the "Λ" and "V" arrows to select between C, F, H (Celsius, Fahrenheit and Kelvin, respectively).
- e. To save the selection, press "T" and then the "F" key, the display should indicate SAU.

## Technical Assistance

Make sure that the dealer gives you the product manual and that you are aware of the conditions of installation, use and maintenance of the equipment.

All reseller stores are trained and able to provide technical assistance.

Before requesting technical assistance from the retail store, make sure that all possibilities (problems / possible causes / solutions) described on page 09 of your manual have been checked.

When asking for technical assistance, always have the sales invoice at hand.

Always demand original parts, remembering that the warranty for parts and labor for repairs carried out will be 90 days.

## Contacts

### Company Data:

**CORPORATE NAME - SIBRAPE IND. E COM. DE EQUIP. AQUA. E DE FILTRAGEM LTDA.  
CNPJ - 29.596.862/0001-00**

### Address:

**1150, Dr. Elpídio de Almeida Campos St. | Distrito Industrial Prefeito Luiz Roberto Jabali  
Ribeirão Preto/SP | ZIP Code: 14072-105**

### Service and contact channels:

**Tel. Brasil: +55 (16) 2101-7000**

**[www.sibrape.com.br](http://www.sibrape.com.br)**

**[Facebook.com/Sibrape](https://www.facebook.com/Sibrape)**

**[Instagram.com/Sibrape](https://www.instagram.com/Sibrape)**

**[Youtube.com/PiscinaSibrape](https://www.youtube.com/PiscinaSibrape)**

### SIBRAPE customer service:

**[sac@sibrape.com](mailto:sac@sibrape.com)**

**0800 727 3737**



Manual and information subject to change without notice.

20

## Warranty Terms

A SIBRAPE IND. E COM. DE EQUIP. AQUA. E DE FILT. LTDA. assures the owner/consumer of this equipment, a total warranty of 12 (twelve) months, consisting of: 275 days of contractual warranty, in addition to the 90 days of legal warranty, from the date of delivery of the product, as expressed in the purchase invoice.

This product is guaranteed against any manufacturing defects. The warranty is characterized by the sales invoice. Defects resulting from:

- Product used inappropriately, recklessly or outside the recommendations of Sibrape or an authorized workshop;
- Repair or alteration by third parties/companies other than Sibrape or authorized workshops;
- Installation incorrectly and contrary to this Manual;
- Natural wear from normal operating conditions;
- Use of corrosive or abrasive fluids not provided for in the equipment design;
- Damage caused by improper transport, falls, etc.;
- Disassembly of the equipment, during the warranty period, without the presence of a Sibrape representative, except when authorized in writing;
- It is subjected to conditions beyond the limits specified in its technical description;
- Water infiltration and/or natural phenomena (overload and/or atmospheric discharge);
- Improper use or user negligence in installation and operation;
- Damage resulting from poor installation, incorrect electrical sizing, lack of protection devices or incorrect electrical connection of the product;

For any queries please contact us.





# GENERADOR DE CLORO CLARIPUR SG20 E SG35

---

## MANUAL DEL USUARIO





## TABLA DE CONTENIDO

Advertencias importantes y precauciones de seguridad.....	26
Introducción.....	28
Características Técnicas Generador de Cloro CLARIPUR SG20.....	29
Características Técnicas Generador de Cloro CLARIPUR SG35.....	29
Instrucciones de instalación.....	30
Piezas de reemplazo.....	33
Dimensiones.....	34
Pantalla de indicación.....	36
Ajustes.....	37
Características.....	37
Química del agua de la piscina, condiciones y precauciones.....	38
Limpieza de las cuchillas con ácido.....	41
Unidad de medida - Temperatura.....	41
Asistencia técnica.....	42
Contactos.....	42
Términos de Garantía.....	43

**La instalación incorrecta de este equipo podría provocar lesiones personales graves o incluso la muerte.**



**Los instaladores, operadores de piscinas y propietarios de piscinas deben leer estas advertencias y todas las instrucciones contenidas en este manual antes de instalar, operar o reparar el equipo.**

Los generadores de cloro Claripur están diseñados para usarse en piscinas comerciales y residenciales.

La mayoría de los países tienen regulaciones locales que rigen la construcción, instalación y operación de piscinas, spas y jacuzzis residenciales y/o públicos. Es importante seguir estas normas según el país de instalación.

### **ADVERTENCIA IMPORTANTE**

**¡Atención instalador!** Este manual de instalación y del usuario contiene información importante sobre la instalación, el funcionamiento y el uso seguro de este producto. Este manual debe ser entregado al propietario del equipo.

Antes de instalar este producto, lea y siga todas las advertencias e instrucciones de este manual. El incumplimiento de las advertencias e instrucciones puede provocar lesiones graves, la muerte, daños a la propiedad y la pérdida de la garantía.



**¡Peligro!** La temperatura del agua por encima de 37°C puede ser peligrosa para la salud. La inmersión prolongada en agua caliente puede inducir hipertermia. La hipertermia se produce cuando la temperatura corporal central alcanza un nivel superior a la temperatura corporal central de 37 °C. Los efectos de la hipertermia incluyen: (1) Desconocimiento de estado de hipertermia; (2) dificultad para percibir el calor; (3) No reconocer la necesidad de salir del agua; (4) incapacidad física para salir del agua; (5) Daño fetal a mujeres embarazadas; (6) Pérdida del conocimiento con riesgo de ahogamiento. El uso de alcohol, drogas o medicamentos puede aumentar considerablemente el riesgo de hipertermia fatal en piscinas, spas, jacuzzis y bañeras de hidromasaje.

No permita que niños y/o personas no capacitadas operen este equipo.

Al reemplazar un generador de cloro, verifique la potencia/caudal del equipo para que sean compatibles. La instalación de equipos inadecuados puede exceder la cantidad de cloro necesaria o quedarse corta.



Este equipo está diseñado para uso en piscinas residenciales y/o comerciales, por lo que se deben seguir todas las normas.

### RIESGO DE DESCARGA ELÉCTRICA O ELECTROCUCIÓN



LOS GENERADORES DE CLORO REQUIEREN ALTO VOLTAJE Y CORRIENTE QUE PUEDEN CAUSAR DESCARGAS ELÉCTRICAS, QUEMADURAS O LA MUERTE.

Desconecte siempre la alimentación eléctrica del equipo antes de realizar el mantenimiento. De lo contrario, podría provocar un accidente, lesiones graves o la muerte accidental por descarga eléctrica.

Los generadores de cloro para piscinas, spas o jacuzzis deben ser instalados por profesionales calificados de conformidad con las reglamentaciones eléctricas locales y las ordenanzas aplicables. La instalación incorrecta puede crear un peligro eléctrico que podría provocar la muerte o lesiones graves a los usuarios de la piscina, instaladores u otras personas debido a una descarga eléctrica y podría causar daños a la propiedad.

No dimensionar correctamente el equipo, realizar una instalación incorrecta o utilizar el equipo en aplicaciones distintas a aquellas para las que está diseñado puede provocar accidentes, lesiones personales graves o la muerte. Estos peligros pueden incluir, entre otros, descargas eléctricas, incendios, inundaciones, lesiones graves, daños a la propiedad causados por una falla estructural del equipo u otro componente del sistema.

Nunca exceda las especificaciones del generador de cloro, como presión, voltaje, corriente, etc.



### PELIGRO DE TRAMPA DE SUCCIÓN

**Las motobombas mueven grandes volúmenes de agua, generando altas aspiraciones en los succionadores, lo que puede representar un peligro extremo de succiones accidentales, de extremidades y/o cabellos si no se realiza un correcto dimensionamiento de la cantidad y posicionamiento de los desagües de fondo, desnatadores, dispositivos de succión y tubería.**

EL NO SEGUIR LAS NORMAS Y RECOMENDACIONES DE INSTALACIÓN, FUNCIONAMIENTO Y SEGURIDAD PUEDE RESULTAR EN CABELLO O EXTREMIDADES ATRAPADAS QUE PUEDEN CAUSAR LESIONES GRAVES O LA MUERTE. En caso de duda sobre la instalación y/o funcionamiento de la motobomba, consulte con un servicio profesional de piscinas calificado.

Las motobombas no reemplazan los desagües y sus tapas correctamente instaladas y fijadas. Se debe usar un tapón de drenaje estándar para cubrir cada drenaje. Las piscinas, los spas y los jacuzzis deben usar al menos dos desagües y seguir las normas adecuadas para el diseño, las especificaciones y la instalación.



Inspeccione regularmente todas las tapas de drenaje en busca de grietas, daños y desgaste avanzado. Si una cubierta está floja, agrietada, dañada, rota o falta, cierre la piscina, el spa o el jacuzzi inmediatamente, apague la bomba, coloque un letrero de mantener cerrado hasta que se instale correctamente una cubierta adecuada.

## Advertencias Importantes Y Precauciones De Seguridad



ADVERTENCIA: LA FORMACIÓN DE GAS DE CLORO PUEDE OCURRIR EN CASO DE UNA CONEXIÓN INCORRECTA: Para reducir el riesgo de lesiones físicas, la fuente de alimentación del generador de cloro Claripur debe instalarse y conectarse al costado del reloj, controlado mediante un enchufe electrónico o regulador el cual recibe energía eléctrica cuando la bomba de la piscina está encendida. De lo contrario, se puede formar cloro gaseoso nocivo. El generador de cloro nunca debe tener energía eléctrica presente cuando la bomba de la piscina está apagada y el agua no fluye a través de la unidad.

ADVERTENCIA: Para reducir el riesgo de lesiones, el servicio solo debe ser realizado por un profesional de piscinas calificado.

ADVERTENCIA: Nunca opere el generador de cloro electrónico Claripur sin el flujo o circulación de agua adecuados. La formación de gases inflamables dará lugar a condiciones peligrosas.

ATENCIÓN: el generador de cloro electrónico Claripur es para uso en piscinas instaladas permanentemente y también se puede usar en jacuzzis y spas, si corresponde. No utilizar en piscinas desmontables. Se entiende por piscina permanente aquella que se construye y no se puede desmontar después de su uso. Una piscina desmontable es aquella que se puede desmontar después de su uso y volver a montar para recuperar su integridad original.

ADVERTENCIA: Al mezclar ácido con agua, SIEMPRE AGREGAR ÁCIDO AL AGUA. NUNCA AÑADA AGUA AL ÁCIDO.

ADVERTENCIA: el uso de productos químicos distintos de los recomendados puede ser peligroso. Incluso el uso adecuado de los agentes químicos recomendados puede ser peligroso. Siga las instrucciones del fabricante del agente químico.

## Introducción

Gracias por elegir un producto Sibrape. Para asegurar un uso correcto y eficiente, es imprescindible la lectura completa de este manual para una buena comprensión de sus operaciones, antes de ponerlo en funcionamiento.

Nuestra línea completa de productos para piscinas simplifica su rutina para que pueda disfrutar de lo que realmente importa.

Comodidad y bienestar. Felicitaciones por la compra de su Generador de Cloro, que brinda comodidad en el tratamiento y deja la piscina siempre lista para usar de una manera muy fácil. El Generador de Cloro trabaja en conjunto con la filtración y produce cloro automáticamente, a partir de la sal, a través de un proceso de electrólisis.

El Generador de Cloro está compuesto por un panel de control que monitorea y controla una celda que debe ser instalada en la tubería de retorno del filtro, la cual puede trabajar en condiciones de filtrado o recirculación (según recomendación diaria). Después de instalar el equipo basta con agregar **SAL (NaCl - Cloruro de Sodio) con un alto contenido de pureza, se recomienda que tenga 99.8% de pureza, granulado, polvo o tabletas. Sin yodo y sin aditivos** para tener una piscina automáticamente clorada sin complicaciones.

## Características Técnicas Generador de Cloro CLARIPUR SG20

Rasgo:	Parámetro:
Generación de Cloro:	20g/H
Salinidad del agua:	2800 – 5000 ppm
Detección de flujo:	Sensor tipo turbina
Voltaje de alimentación:	Rango 110~220VAC
Energía:	120 W
Diámetro de tubería:	2"
Corriente en la celda:	5 A
Voltaje de celda:	24V
Flujo mínimo:	3 m3/H
Grado de protección del controlador:	IP 65

## Características Técnicas Generador de Cloro CLARIPUR SG35

Rasgo	Parámetro:
Generación de Cloro	35g/H
Salinidad del agua:	2800 – 5000 ppm
Detección de flujo:	Sensor tipo turbina
Voltaje de alimentación:	220VAC
Energía:	240 W
Diámetro de tubería:	2"
Corriente en la celda:	10 A
Voltaje de celda:	24V
Flujo mínimo:	3 m3/H
Grado de protección del controlador:	IP 65

### Inspección y Recepción

Verifique el producto al recibirlo, después de sacar el equipo de su embalaje, verifique los documentos de envío y verifique si se ha producido algún daño en el equipo, causado por la carga y el transporte. Si se ha encontrado alguna irregularidad, como falta de componentes o daños en el equipo, notifique inmediatamente al responsable del transporte y a Sibrape.

### Instalación eléctrica

La instalación eléctrica debe ser realizada por un profesional calificado y de acuerdo con la legislación local y las Normas Técnicas vigentes. Para Brasil, la Norma Técnica ABNT NBR 5410 - La instalación eléctrica debe ser realizada por un profesional calificado y de acuerdo con la legislación local y las Normas Técnicas vigentes.

Un proyecto bien dimensionado garantiza un perfecto funcionamiento del equipo, protege el equipo y aumenta su vida útil.

La alimentación de los equipos debe realizarse a través de un circuito exclusivo, independiente de los demás. Los generadores de cloro deben instalarse dentro de una sala de máquinas y con suficiente espacio para ventilación.

Los cables de alimentación del equipo deben ser dimensionados por un profesional habilitado y capacitado para tal fin.

**VERIFIQUE EL VOLTAJE DE CONEXIÓN DE SU EQUIPO ANTES DE CONECTAR LA ENERGÍA.**

**VERIFICAR LA CORRECTA CONEXIÓN DE LOS TERMINALES DEL EQUIPO PARA LOS VOLTAJES DISPONIBLES SEGÚN CADA PRODUCTO.**

Es obligatorio instalar dispositivos que brinden seguridad a la instalación, equipos, personas y animales, tales como: Contactor, relevador de sobrecarga, Dispositivos de protección contra sobretensiones, Relevador de falla de fase, Diferencial Residual/Interruptor Diferencial Residual y demás protecciones necesarias de acuerdo a las normas nacionales. norma técnica - Instalaciones eléctricas de baja tensión.

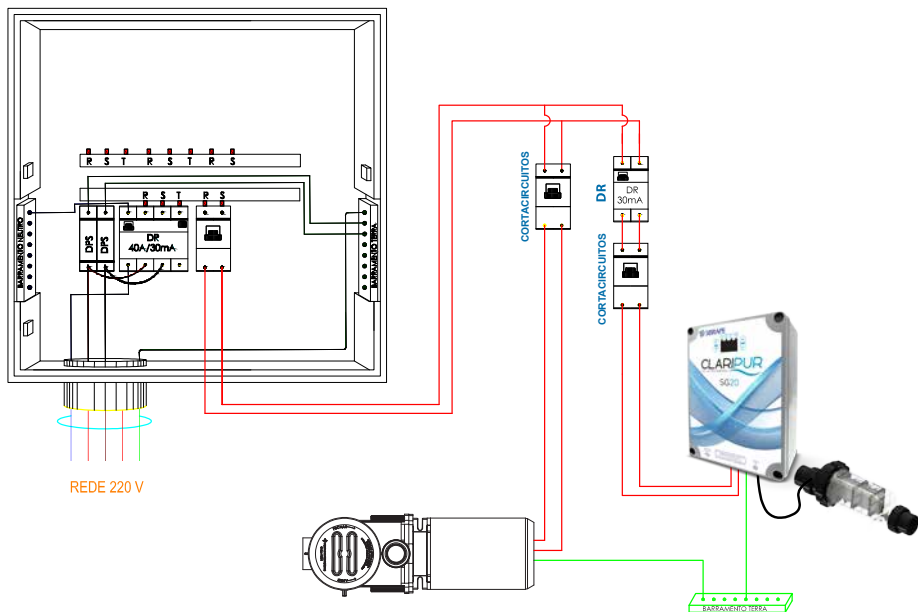
La falta de dispositivos de protección eléctrica dará lugar a la pérdida de la GARANTÍA.

La garantía no cubre daños por descargas eléctricas, problemas de suministro y fenómenos naturales.

### **Puesta a tierra: LA PUESTA A TIERRA ES OBLIGATORIA**

Para total seguridad de la instalación eléctrica, asegúrese de que el motor esté perfectamente conectado a tierra, de acuerdo con la norma ABNT NBR 5410. Utilice el terminal existente en el motor para la conexión a tierra, conectándolo a un cable del diámetro adecuado según el diseño y este cable a una varilla de hierro/cobre adecuada.

## VISIÓN DE CONJUNTO



El generador de cloro se instala después de dispositivos de protección contra sobretensiones y el disyuntor de protección contra sobrecarga. No es necesario conectar el Generador de Cloro junto con la bomba, ya que el Generador de Cloro tiene un sensor de flujo que lo hace encender con la detección del paso y el agua. Para otros métodos de instalación, consultar soporte técnico.

### Controlador de celda (CPU)

1. Encuentre un lugar libre de agua y con poca humedad;
2. Fije la caja usando las pestañas laterales;
3. Proporcionar punto de alimentación;
4. Una vez reparado y energizado, conecte el generador de cloro a la controladora. Para conectarse, solo busque la posición conector (solo hay una forma de colocarlo) y presione el conector azul.



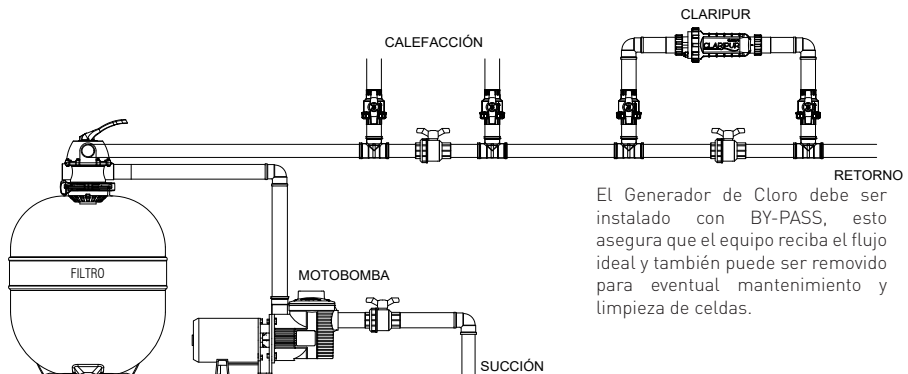
## Instalación Hidráulica

El generador de cloro se instala después de dispositivos de protección contra sobretensiones y el disyuntor de protección contra sobrecarga. No es necesario conectar el Generador de Cloro junto con la bomba, ya que el Generador de Cloro tiene un sensor de flujo que lo hace encender con la detección del paso y el agua. Para otros métodos de instalación, consultar soporte técnico.

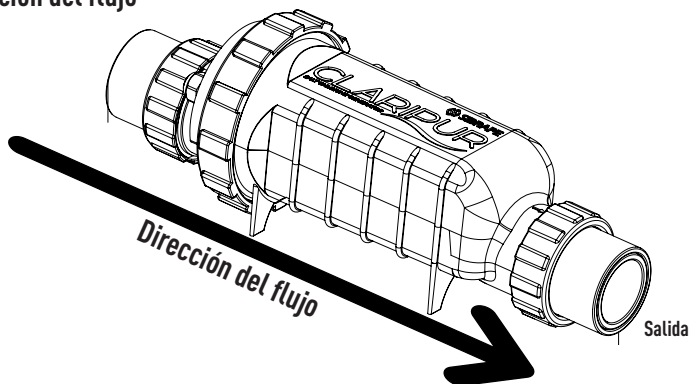
### Celda generadora de cloro

1. Instalar después de los sistemas de filtración y calefacción y antes del retorno a la piscina;
2. Seccione la tubería lo suficiente para asegurar el equipo con las uniones;
3. Pegue las juntas en la tubería;
4. Coloque el Generador de Cloro, observando la dirección del flujo de agua;
5. Verifique que todas las tuercas estén bien apretadas para que no haya fugas.
6. Instale siempre el generador de cloro en la última parte de la tubería de retorno, después de los calentadores eléctricos, de gas o solares.
7. Una vez reparado y energizado, conecte el generador de cloro a la CPU. Para conectarse, solo busque la posición conector azul (solo hay una forma de colocarlo).

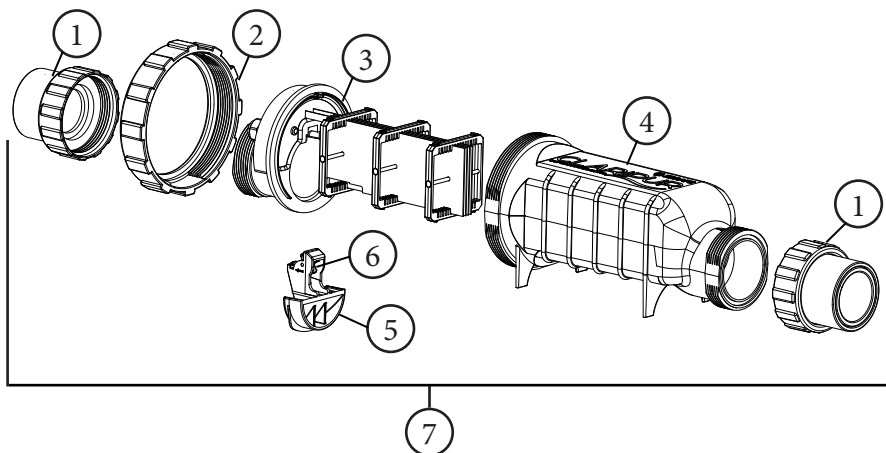
### Diagrama de instalación hidráulica



### Dirección del flujo



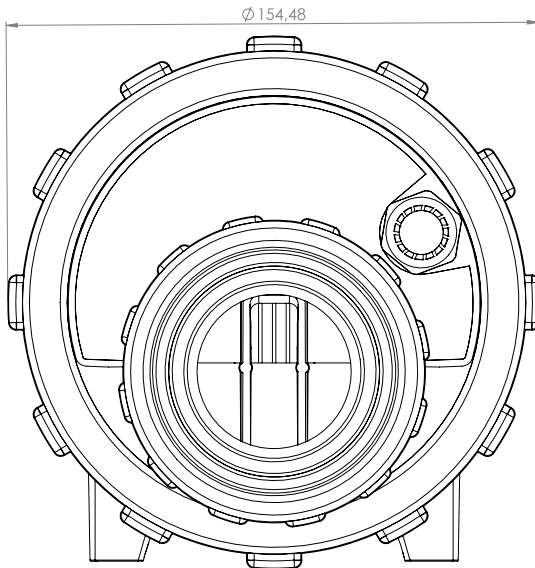
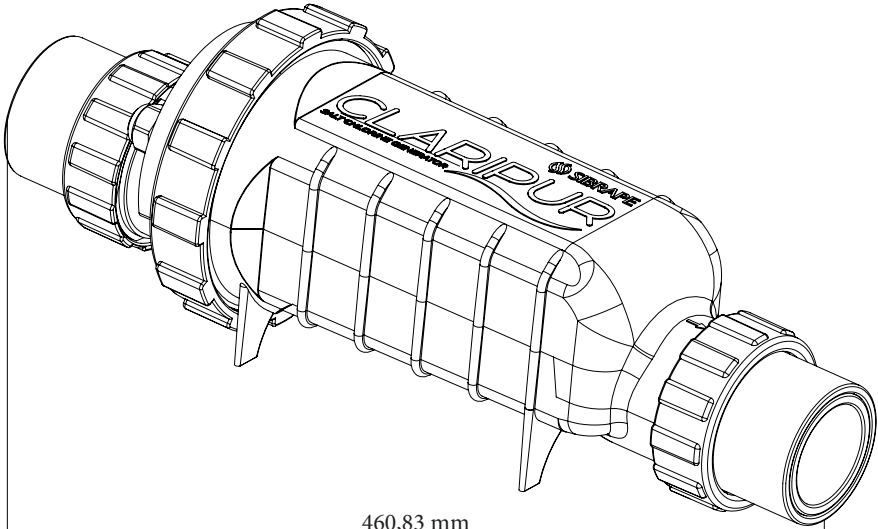




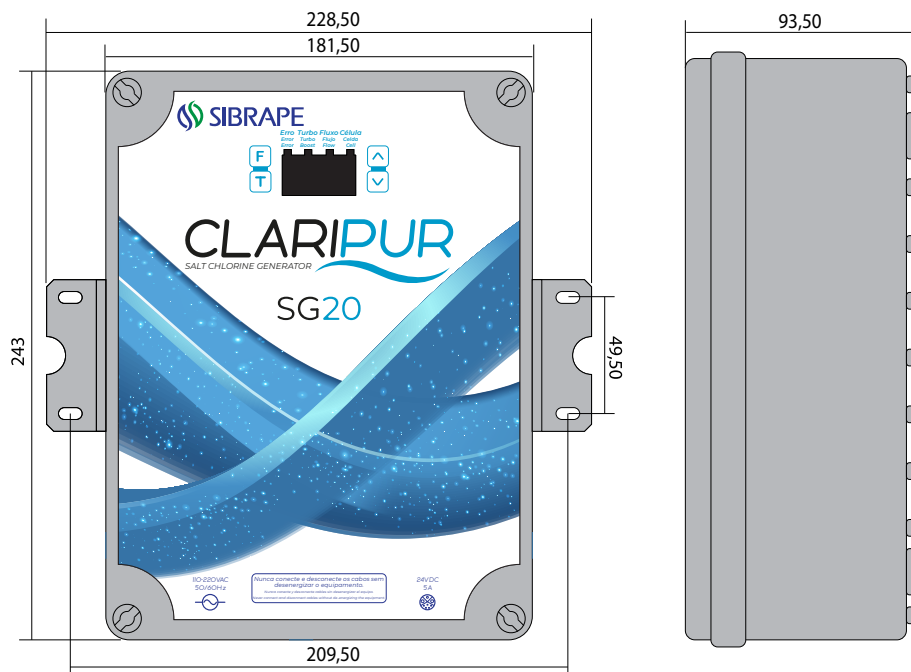
**Piezas del generador de cloro**

Artículo	Código	Descripción
01	28072505	KIT UNION PLATINO/CLARIPUR
02	08070183	TUERCA DE LA CELDA CLARIPUR Este es el código de la tuerca más grande, que asegura la cubierta al cuerpo de la celda.
03	05130020	CUCHILLAS COMPLETAS GENERADOR DE CLORO SG20 ING/ESP
03	05130021	CUCHILLAS COMPLETAS GENERADOR DE CLORO SG35 ING/ESP
04	08070182	CUERPO DE LA CELDA GENERADOR DE CLORO Este es solo el cuerpo de la celda, hecho de policarbonato.
05	08070184	KIT DE SENSOR DE FLUJO Este artículo contiene sensor de flujo con imanes, eje de titanio y soporte para sensor de flujo.
06	08290075	SENSOR DE FLUJO CON IMÁN Este artículo contiene las dos partes del sensor de flujo ya ensambladas con los imanes.
07	05130016	GENERADOR DE CLORO CELDA COMPLETA 20g Este código contiene todo desde la celda 20g, incluyendo las conexiones para los tubos
07	05130017	GENERADOR DE CLORO CELDA COMPLETA 35g Este código contiene todo lo que hay en la celda 35g, incluyendo las conexiones para los tubos
-	05130014	CPU GENERADOR DE CLORO SG20 ING/ESP
-	05130015	CPU GENERADOR DE CLORO SG35 ING/ESP

## Dimensiones



## Dimensiones



## Pantalla de indicación



El Generador de Cloro trabaja con dos tipos de indicación, indicación LED e indicación alfanumérica;

### Indicación LED

#### ACTIVO

El LED activo permanece encendido mientras el equipo está produciendo cloro.

#### FLUJO

Indica que el sensor de caudal ha detectado agua pasando por la tubería.

#### TURBO

indica que la función de refuerzo está activada y permanecerá hasta que se apague o expire el tiempo de 24 horas

#### ERROR

- Rojo intermitente - indica poca sal
- Rojo fijo: indica un error que se puede ver en el menú ERR al navegar con la tecla F.





## Indicación alfanumérica

TPara cambiar entre pantallas, simplemente presione la tecla F rápidamente. Cambia entre los menús:

### •GENERACION

Indica el porcentaje que se programa para la generación de cloro, que puede ser: 100%, 80%, 60%, 40% y 20%. Y es en esta pantalla donde se ajusta el porcentaje de producción, mediante las teclas.



### •AUMENTAR

El generador de cloro producirá cloro al 100 % durante 24 horas (siempre y cuando la bomba mantenga el flujo de agua). En esta pantalla, indica el tiempo decreciente, de 24 horas, para el final de la función BOOST.



### •SAL

Indica si el agua tiene la cantidad ideal de sal para que el equipo tenga el mejor rendimiento posible.



SAL LOW – indica cuando la salinidad del agua está por debajo de 2800 PPM  
 SAL Normal – indica cuando la salinidad del agua está entre 2800 a 5000 PPM  
 SAL HIGH – indica cuando la salinidad del agua está por encima de 5000 PPM.

### •ERROR

Indica el error actualmente presente, consulte la tabla de indicación de errores:



INDICACIÓN DE ERROR		
CÓDIGO	ERROR	SOLUCIÓN
1	Cortocircuito en celda	La celda puede estar cortocircuitada. Exceso de sal.
2	Celda Abierta	Conexión eléctrica entre el controlador y la celda, rota. Poca sal en el agua. Celda desconectada.
4	Sobrecalentamiento del Controlador	El controlador electrónico está sobrecalentado. Ambiente muy caluroso. Pide mucha potencia.
8	Energía Excesiva Solicitada	Necesita mucha energía en la celda. Poca sal en el agua.
16	Problema con los sensores de temperatura	Problema con el sensor de temperatura del agua. Problema con el sensor de temperatura de la CPU.

Los errores se indican en suma, por ejemplo. Si ocurre el error 16 y el error 2, la pantalla indicará 18. Si ocurre el error 8 y el error 16, la pantalla indicará 24, y así sucesivamente.

## Ajustes

### Ajustar la producción de cloro

El indicador principal del equipo es el porcentaje de generación de cloro, el cual se puede ajustar mediante las teclas que se encuentran a la derecha del display, indicadas . El porcentaje se puede establecer en: 100%, 80%, 60%, 40% y 20% de la capacidad total.

### BOOST - Función TURBO

Esta función hace que el generador de cloro funcione al 100% de la producción durante 24 horas. El tiempo en esta función se cuenta por horas de funcionamiento, no por horas continuas. Por ejemplo, si el generador funciona 8 horas al día, funcionará al 100 % durante 3 días (24 h/8 h = 3). Al final de las 24 horas, la generación de cloro vuelve al último porcentaje programado.

Para activar la función de refuerzo, simplemente presione la tecla [T] a la izquierda de la pantalla. Para monitorear el tiempo restante para que termine la función, simplemente presione la tecla F, la pantalla indicará "BST" y luego el tiempo decreciente de 24 a 0. Para regresar a la indicación de porcentaje de generación, simplemente presione el botón "F" y con las flechas navegue hasta la indicación de % de generación.

## Características

La generación de cloro en este equipo es constante, es decir, no depende de la cantidad de sal en el agua. Solo necesita estar entre 2800 y 5000 PPM.

### Sensor de flujo

El Generador de Cloro dispone de un sensor de caudal que, sólo a partir de un caudal mínimo de agua, se inicia la generación. Así, aunque el equipo esté energizado y el porcentaje de generación programado, la producción sólo comenzará cuando haya agua circulando por la tubería.

### Protección térmica

Para proteger y mantener la calidad del producto, el Generador de Cloro Claripur monitorea la temperatura del agua, de manera que, si el agua llega a 18°C, la generación de cloro cambiará al 40% de su capacidad y el agua llega a 14°C el generador operará al 20% de su capacidad.

Es importante señalar que este comportamiento sólo se puede observar si el porcentaje programado es superior al porcentaje de generación en modo protección térmica.

### Operando en invierno

El generador de cloro puede funcionar a temperaturas de hasta 1°C. Para ello modula la potencia de la celda. Por debajo de 18°C reduce la generación de cloro al 40%, y por debajo de 14°C la reduce al 20% y mantiene la generación de cloro mientras haya suficiente caudal de agua y suficiente sal.

Esta tecnología es compatible con piscinas incluso en días helados.

### Sensor de sal

Sensor que ayuda a verificar el estado de la celda de generación de cloro. Puede evaluar si la celda está en buenas condiciones o no. Cada vez que comienza un nuevo ciclo de generación de cloro, el sensor de sal verifica la salinidad del agua y la compara con la celda, lo que puede informar problemas en la celda.

### Autolimpieza

Cada 5 horas de funcionamiento del Generador de Cloro se realiza un procedimiento de autolimpieza. Este procedimiento asegura que los materiales incrustados en las palas del generador se aflojen, manteniendo el Generador de Cloro siempre con la máxima eficiencia.

## Química del agua de la piscina, condiciones y precauciones

### Condiciones químicas ideales para el agua

Se recomiendan las siguientes condiciones químicas diarias en el agua de la piscina para ayudar a proteger a los usuarios, el equipo de la piscina y cualquier superficie utilizada dentro y alrededor de la piscina.

Estos valores son importantes para mantener el equipo de la piscina en condiciones de funcionamiento adecuadas, así como para prevenir la corrosión, los lodos u otros problemas. Se garantiza que el generador de cloro electrónico funcionará correctamente solo si se cumplen estas condiciones.

Cloro puro:	2,0 - 4,0 ppm. Por encima de 4,0 ppm puede provocar la corrosión de los componentes metálicos
Cloro Combinado (Cloraminas):	Ninguno (supercloración para eliminar todas las cloraminas).
pH:	7.2 - 7.8 (USE ÁCIDO MURIÁTICO para bajar el pH y Carbonato de Sodio para subir el pH).
Ácido Cianúrico:	30 - 50 ppm
Alcalinidad Total:	80 - 120 ppm
Partículas De Calcio:	200 - 400 ppm
TDS (incluye sal):	3000 min a 5700 a 6000 max ppm
Sal:	3000 - 4500 ppm (ideal 3500 ppm)
Metales (Cobre, Hierro, Manganeso):	Ninguno
Nitratos:	Ninguno
Fosfatos:	Menos de 125 ppb

### Piscinas Cubiertas

Cuando se utiliza el generador de cloro en piscinas cubiertas y/o líneas de vinilo, se requiere menos cloro. Se recomienda disminuir la producción de cloro mientras la piscina esté cubierta.

### Que tipo de sal usar

Cuanto más pura sea la sal, mejor será el rendimiento y la duración del Generador de Cloro. Use sal que sea al menos 99.8% pura de NaCl, cloruro de sodio. La sal preferida y recomendada es una sal granulada, evaporada, de calidad alimentaria, no yodada y sin aditivos. Consulte a su proveedor de sal.

### ¿Cuánta sal usar?

Use la Tabla 1 para determinar cuánta sal necesitará. La mayoría de las piscinas contienen sal, según la fuente de agua y el producto químico utilizado para la limpieza. Sin embargo, el propietario de la piscina siempre debe probar los niveles de sal antes de agregar sal. Se puede usar un medidor de mano calibrado para NaCl (sal) para determinar los niveles de sal en el agua de la piscina. Después de encender el CLARIPUR, analizará el agua a través del sensor de sal y solo comenzará a producir cloro después de que el sensor de sal detecte suficiente sal. Si la cantidad de sal es baja, el LED de error comenzará a parpadear, informando que la cantidad de sal es baja. Esta luz indica el estado de sal de la piscina.

- Se recomiendan 3500 ppm de sal para optimizar las condiciones del agua.
- La concentración de sal baja por debajo de 2800 ppm se indicará en el LED de error parpadeante.
- Las altas concentraciones de sal por encima de 5000 ppm pueden causar una corrosión excesiva o el deterioro del equipo de la piscina y de cualquier superficie que se use dentro y alrededor de la piscina.

Nota: Las mediciones de sal variarán entre los dispositivos de medición (tiras de medición de sal, probadores electrónicos y molienda). La lectura del sensor de sal tiene una precisión de +/- 500 ppm.

### Cómo agregar sal a la piscina

1. Verifique el nivel de sal en la piscina antes de agregar sal.
2. Determine la cantidad de sal de la Tabla 1 a continuación.
3. Agregue sal lentamente al perímetro exterior de la piscina para una distribución uniforme. Para evitar que el filtro se obstruya o dañe el equipo de la piscina y las superficies circundantes, no agregue sal a través del desnatador o el tanque.
4. Limpiar el fondo de la piscina y dejar circular el agua durante 24 horas para disolver completamente la sal.
5. Después de 24 horas, verifique la lectura correcta de sal a través de los indicadores del generador de cloro y con un método de prueba confiable por separado.
6. Encienda el generador de cloro y establezca el nivel de salida de limpieza adecuado para mantener los niveles de cloro libre en el agua de la piscina (entre 2,0 y 4,0 ppm son valores recomendados).

La Tabla 1 ayuda a calcular la cantidad de sal que se debe agregar al agua. Si el agua tiene 0 sal o ya tiene alguna cantidad de sal presente. La línea PPM indica la presencia de sal en el agua, y las cantidades en KG son la cantidad de sal a añadir al agua para que al final llegue a 3500PPM. Por ejemplo: si tienes una piscina de 20.000 L y después de tomar la medida encuentras que ya tiene 2000 PPM de sal, solo ve a la columna de 2000 PPM y ve a la línea de 20.000 L, ya está, la cantidad de sal a poner en la piscina es de 30 kg.

## Tabla 1 - Volumen de sal por cantidad de agua

PPM >	0	250	500	750	1000	1250	1500	1750	2000	2250	2500	3000
Litros V	sal necesaria en kg											
12000	42	39	36	33	30	27	24	21	18	15	12	6
14000	49	46	42	39	35	32	28	25	21	18	14	7
16000	56	52	48	44	40	36	32	28	24	20	16	8
18000	63	59	54	50	45	41	36	32	27	23	18	9
20000	70	65	60	55	50	45	40	35	30	25	20	10
22000	77	72	66	61	55	50	44	39	33	28	22	11
24000	84	78	72	66	60	54	48	42	36	30	24	12
26000	91	85	78	72	65	59	52	46	39	33	26	13
28000	98	91	84	77	70	63	56	49	42	35	28	14
30000	105	98	90	83	75	68	60	53	45	38	30	15
35000	123	114	105	96	88	79	70	61	53	44	35	18
40000	140	130	120	110	100	90	80	70	60	50	40	20
45000	158	146	135	124	113	101	90	79	68	56	45	23
50000	175	163	150	138	125	113	100	88	75	63	50	25
55000	193	179	165	151	138	124	110	96	83	69	55	28
60000	210	195	180	165	150	135	120	105	90	75	60	30
65000	228	211	195	179	163	146	130	114	98	81	65	33
70000	245	228	210	193	175	158	140	123	105	88	70	35
75000	263	244	225	206	188	169	150	131	113	94	75	38
80000	280	260	240	220	200	180	160	140	120	100	80	40
85000	298	276	255	234	213	191	170	149	128	106	85	43
90000	315	293	270	248	225	203	180	158	135	113	90	45
95000	333	309	285	261	238	214	190	166	143	119	95	48
100000	350	325	300	275	250	225	200	175	150	125	100	50



## Limpeza de las cuchillas con ácido

Si las aspas del generador de cloro muestran una tendencia a "incrustarse", se recomienda que cada (2) dos meses se retiren las aspas del generador de cloro y se inspeccionen para detectar la formación de escamas y/o rastros en las aspas. Algunos filtros permiten que las trazas pasen a través del generador de cloro y posiblemente se asienten entre las aspas del generador de cloro. Una pequeña cantidad de "escamas" es normal. Si al mirar a través del Generador de Cloro se observa que existe una formación excesiva de "escamas" entre las aspas o que hay presencia de trazas, el Generador de Cloro debe limpiarse de la siguiente manera:

### ANTES DE CUALQUIER MANTENIMIENTO, APAGUE EL EQUIPO Y DESCONECTE EL CABLE DE LA CELDA DEL CONTROLADOR.

1. Utilice un chorro de agua para la limpieza. Si las hojas no se pueden limpiar razonablemente de esta manera, será necesaria una limpieza con ácido.
2. Para limpiar las cuchillas con ácido:
3. Desmonte la celda abriendo la tuerca grande y retirando las palas del cuerpo.
4. Mezcle (1) un cuarto de galón de ácido muriático con 4 litros de agua del grifo en un balde de plástico.
5. Remoje las aspas del generador de cloro lo suficiente como para cubrir toda la aspa. Tenga cuidado de no dejar que se sumerja todo el portacuchillas. Trate de no salpicar ácido fuera de la cubeta. Si el ácido salpica, enjuague con agua.
6. Espere hasta que la solución comience a burbujear para comenzar a limpiar. Comenzará una acción de formación de espuma, esto es causado por la disolución de incrustaciones (carbonato de calcio) de las cuchillas. Si no se inicia una acción rigurosa de formación de espuma, no es necesario limpiar las cuchillas. De lo contrario, deje los portaobjetos sumergidos en la solución hasta que deje de formar espuma. Sin embargo, no deje ácido en el generador de cloro por más de 30 minutos. La limpieza excesiva con ácido dañará las cuchillas.
7. Retire el generador de cloro del balde y colóquelo en uno vacío. Enjuague con agua limpia y verifique. Si los depósitos aún son visibles, repita el proceso de limpieza con ácido si es necesario.
8. Enjuague nuevamente con agua limpia y verifique.
9. Si es necesario el procedimiento de lavado con ácido, se recomienda realizar la prueba de DUREZA DEL AGUA CÁLCICA sobre una muestra de agua de la piscina para ser analizada por un profesional especializado o con kits específicos para piscinas disponibles en el mercado. El rango ideal es de 200 a 400 ppm.
10. Revise las aspas del generador de cloro cada dos meses y límpielas solo si es necesario.
11. Vuelva a ensamblar las celdas en el cuerpo y vuelva a conectar el cable de comunicación y luego vuelva a conectar la energía eléctrica.  
Para cualquier consulta, póngase en contacto con el departamento de Asistencia Técnica.

## Unidad de medida - Temperatura

El generador de cloro tiene una pantalla que le permite al cliente seleccionar qué unidad de temperatura está más acostumbrado a usar entre Celsius, Kelvin y Fahrenheit. A continuación se muestra una breve guía paso a paso para cambiar la unidad de temperatura.

- a. Presione el botón "F" durante 3 segundos, la pantalla debe indicar "Cod" y el número "0" parpadeará. Esto indica que la pantalla es libre de cambiar;
- b. Presione la flecha "▲" hasta que aparezca el número 12 y luego el botón "T". "tmp" debería aparecer en la pantalla;
- c. Presione nuevamente la tecla "T", el equipo habilitará la edición de la unidad de temperatura;
- d. Use las flechas "▲" y "▼" para seleccionar entre C, F, H (Celsius, Fahrenheit y Kelvin, respectivamente).
- e. Para guardar la selección, presione "T" y luego la tecla "F", la pantalla debe indicar SAU.

## Asistencia técnica

Asegúrese de que el distribuidor le entregue el manual del producto y que conozca las condiciones de instalación, uso y mantenimiento del equipo.

Todas las tiendas distribuidoras están capacitadas y pueden brindar asistencia técnica.

Antes de solicitar asistencia técnica a la tienda minorista, asegúrese de que se hayan verificado todas las posibilidades (problemas/posibles causas/soluciones) descritas en la página 09 de su manual.

Cuando solicite asistencia técnica, tenga siempre a mano la factura de venta.

Exija siempre repuestos originales, recordando que la garantía en repuestos y mano de obra por las reparaciones realizadas será de 90 días.

## Contactos

### Nombre De La Empresa:

**CORPORATE NAME - SIBRAPE IND. E COM. DE EQUIP. AQUA. E DE FILTRAGEM LTDA.  
CNPJ - 29.596.862/0001-00**

### Comuníquese a:

**Calle Dr. Elpídio de Almeida Campos 1150 | Distrito Industrial Prefeito Luiz Roberto Jabali  
Ribeirão Preto/SP | ZIP Code: 14072-105**

### Canales De Atención Y Contacto:

**Tel. Brasil: +55 (16) 2101-7000**

**[www.sibrape.com.br](http://www.sibrape.com.br)**

**[Facebook.com/Sibrape](https://www.facebook.com/Sibrape)**

**[Instagram.com/Sibrape](https://www.instagram.com/Sibrape)**

**[Youtube.com/PiscinaSibrape](https://www.youtube.com/PiscinaSibrape)**

### SIBRAPE:

**[sac@sibrape.com](mailto:sac@sibrape.com)**

**0800 727 3737**



## Términos de Garantía

A SIBRAPE IND. E COM. DE EQUIP. AQUA. E DE FILT. LTDA. asegura al propietario/consumidor de este equipo, una garantía total de 12 (doce) meses, consistente en: 275 días de garantía contractual, además de los 90 días de garantía legal, a partir de la fecha de entrega del producto, conforme expresa en la factura de compra.

Este producto está garantizado contra cualquier defecto de fabricación. La garantía se caracteriza por la factura de venta. Defectos resultantes de:

- Producto utilizado de manera inapropiada, imprudente o fuera de las recomendaciones de Sibrape o de un taller autorizado;
- Reparación o alteración por terceros/empresas ajenas a Sibrape o talleres autorizados;
- Instalación incorrecta y contraria a este Manual;
- Desgaste natural de las condiciones normales de funcionamiento;
- Uso de fluidos corrosivos o abrasivos no previstos en el diseño del equipo;
- Daños causados por transporte inadecuado, caídas, etc.;
- Desmontaje del equipo, durante el período de garantía, sin la presencia de un representante de Sibrape, salvo autorización por escrito;
- Está sujeto a condiciones más allá de los límites especificados en su descripción técnica;
- Infiltración de agua y/o fenómenos naturales (sobrecarga y/o descarga atmosférica);
- Uso indebido o negligencia del usuario en la instalación y operación;
- Daños resultantes de una mala instalación, dimensionamiento eléctrico incorrecto, falta de dispositivos de protección o conexión eléctrica incorrecta del producto;

Para cualquier consulta póngase en contacto con nosotros.





